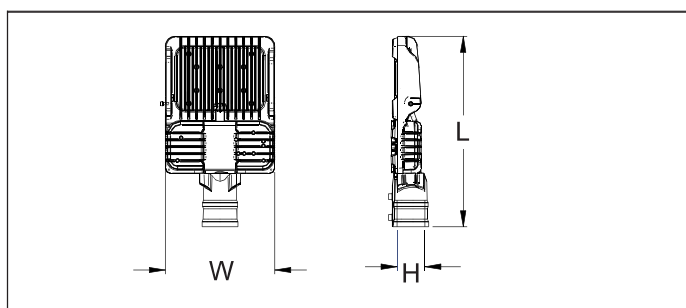




Features

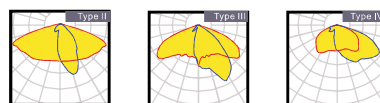
Housing: Aluminum
 Thermal Conductivity: 226 W/m·K
 Led: Cree
 CRI: Ra>70
 SDCM: <6
 Power Factor: >0.95
 THD: <15
 Driver: Meanwell
 Driver Efficiency: >92%
 Protection: OTP, OCP, OVP, SCP
 Surge Protection: 6KV
 Waterproof: IP66
 Impact Test: IK08
 Corrosion Proof: WF2
 Electrical: 85~305V, 50/60Hz
 Operating Temperature: -25~45°C
 TM21: L90B10>50,000H
 Lifetime: 50,000H



Functions

ZigBee · PWM · DALI · 0/1~10V

Optical options:



Model	Watt	Voltage	Lumen	CRI	IP	Dimension (L*W*H)
DTC4124X0	24W	85~305V	3600LM	>70	IP66	412*237*81MM
DTC4140X0	40W	85~305V	6000LM	>70	IP66	412*237*81MM
DTC4160X0	60W	85~305V	9000LM	>70	IP66	412*237*81MM
DTC4180X0	80W	85~305V	11200LM	>70	IP66	412*237*81MM
DTC4110X0	100W	85~305V	14000LM	>70	IP66	412*237*81MM