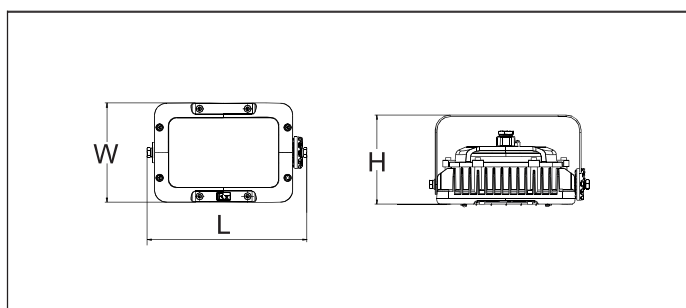


## Features

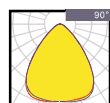
- Carcasa: Aluminum
- Thermal Conductivity: 226 W/m·K
- Led: Cree
- CRI: Ra>70
- SDCM: <6
- Power Factor: >0.95
- THD: <15
- Driver: Meanwell
- Driver Efficiency: >92%
- Protection: OTP, OCP, OVP, SCP
- Surge Protection: 6KV
- Waterproof: IP66
- Impact Test: IK08
- Corrosion Proof: WF2
- Electrical: 100~277V, 50/60Hz
- Operating Temperature: -25~45°C
- TM21: L90B10>50,000H
- Lifetime: 50,000H



## Functions

ZigBee · PWM · DALI · 0/1~10V

## Optical options:



Model	Watt	Voltage	Lumen	CRI	IP	Dimension (L*W*H)
DTC4025X0	25W	100~277V	3750LM	>70	IP66	299*186*167MM
DTC4050X0	50W	100~277V	7500LM	>70	IP66	299*186*167MM
DTC4070X0	70W	100~277V	10500LM	>70	IP66	299*186*167MM